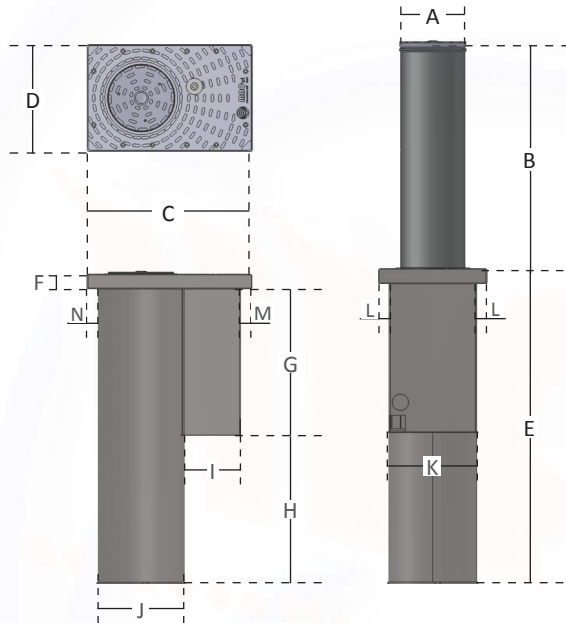


CSA 200

The CSA automatic bollards with hydraulic motion, are the top line products of MAC company, these bollards are the result of the continuous development of more than 25 years of experience.

- Hydraulic movement, it the most reliable technology for intense use and it is of course, the best solution independently from all temperatures and weather conditions.
- Built-in hydraulic pump for a simple installation of the bollard.
- Hot galvanized pipe, extractable structure and formwork for a long term resistance to wear.
- Wide range of customization: custom colours, Sensitive head, integrated LED, unlock electrical valve, heater resistance, buzzer etc. (see accessories and optional items sheet)



(U.M.=MM)

A	Ø 200/206	
B (CORSA)	500	700
C	508	
D	328	
E	754	954
F	47	
G	452	
H	458	
I	178	
J	Ø 268	
K	275	
L	30	
M	34	
N	33	



Recommended for:

- Limit transit in pedestrian areas
- Access control parking
- Control driveways

TYPE OF BOLLARD		CSA200 F	CSA200 F	CSA300 I
THICKNESS OF CYLINDER	mm	12.5	4	4
DIAMETER OF CYLINDER	mm	200		206
TYPE MATERIAL OF CYLINDER		FE510	FE360	INOX304
FINISHING OF CYLINDER		POLYESTER PAINT		SATIN
TREATMENT OF CYLINDER		HOT GALVANIZED		INOX 304
TREATMENT OF FORMWORK AND STRUCTURE		HOT GALVANIZED		
REFLECTIVE ADHESIVE STRIPE		•		
SAFETY PRESSOSTAT		OPTIONAL		
RESISTANCE TO BREAKING	J	242.000	111.000	180.000
RESISTANCE TO DEFORMATION (JOULE)	J	15.000	5.000	11.000
STATIC RESISTANCE BOLLARD OPEN (CERTIFIED)	Kg	40.000		
DAILY CYCLES- INTENSIVE USE (INTERMITTENT CYCLE S3)		2.400		
AVERAGE LIFE CYCLES WITHOUT MAINTENANCE		1.500.000		
MAXIMUM PRESSURE OF WORKING	bar	30		
PROTECTION GRADE OF THE PUMP	IP	67		
POWER ABSORBED	W	500		
POWER SUPPLY	Vac	230V 50HZ		
BRIGHT HEAD POWER SUPPLY	Vdc	24		
WORKING TEMPERATURE	°C	-20 / + 80		
ELECTRICAL HEATER DEVICE		0		
SELF CERTIFIED ROHS PRODUCT		•		

• = di serie F = fe510/360 I = inox



MAC srl
 Sede e stabilimento:
 Via Eraldo Maltoni, 11 - Loc. MORGICOLA
 41022 WILLEFOROLA (PU)

Tel. +39 0721 465447 - Fax. +39 0721 465428
 Internet: <http://www.mac-srl.it>
 Email: info@mac-srl.it

Dist. Pac. - P.lella NFPA 022000412
 Icc. Reg. Imprese di P.lella NFPA 022000412
 Cap. Pac. 020100100 Loc.





Sensitive Head



Reflective Strip

Hot Galvanizing



RAL Painting On Request



Cover in Stainless Steel



	THICKNESS OF CYLINDER	mm	12	4	4 inox
Csa300 H500	Cod		030052112	030052004	
STROKE OF CYLINDER	mm		500		
SPEED OF LIFT	sec		3.90		
SPEED OF LOWERING	sec		3		
SPEED OF LOWERING AS EMERGENCY (WITH ELECTRICAL VALVE)	sec		3	3.5	
TOTAL WEIGHT OF BOLLARD	kg		98	68	

Csa300 H700	Cod		030054112	030054004	
STROKE OF CYLINDER	mm		700		
SPEED OF LIFT	sec		5.20		
SPEED OF LOWERING	sec		4		
SPEED OF LOWERING AS EMERGENCY (WITH ELECTRICAL VALVE)	sec		4	5	
TOTAL WEIGHT OF BOLLARD	kg		117	74	

Csa300 H800	Cod		030055112	030055004	
STROKE OF CYLINDER	mm		800		
SPEED OF LIFT	sec		5.20		
SPEED OF LOWERING	sec		4		
SPEED OF LOWERING AS EMERGENCY (WITH ELECTRICAL VALVE)	sec		4	5	
TOTAL WEIGHT OF BOLLARD	kg		125	77	



MAC srl

Strada 6 - Stabilimento
Via Emilia 14444, 11 - Loc. MOLFIDOLA
47022 WILLEFOROLA (PU)

Tel. +39 0721 465447 - Fax. +39 0721 465428
Internet: <http://www.mac-srl.it>
E-mail: info@mac-srl.it

Cap. Soc. - Pagine M.P. 022444442
Isc. Reg. Imprese di Persone Giuridiche e C.C.I.A.A. 12
Cap. Soc. 020.000,000 Lit.

